

## 4" Ceiling Speakers

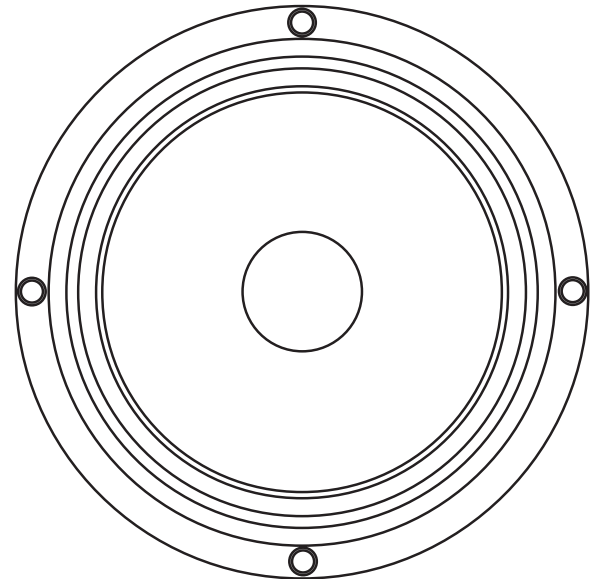
CF204-8A  
CF204-4T  
CF204-8T

### FEATURES – THE ALTEC LANSING DIFFERENCE

- High Performance 4 inch / 100 mm full-range loudspeaker
- 10 W EIA / 40 W peak power handling
- Corrosion-resistant speaker frame
- Special moisture resistant cone material
- Available with two factory mounted 70 V / 100 V 4 W & 8 W transformers
- All transformers have low <.6 dB insertion loss

### GENERAL PRODUCT DESCRIPTION

The Altec Lansing Professional CF204 series is a high performance full-range speaker that delivers a wide coverage pattern when used in ceiling applications. It is an excellent choice for airports & transportation facilities, office buildings, commercial facilities and most general paging applications. The moisture resistant 4 inch / 100 mm speaker has a corrosion-resistant speaker frame. To aid in the dispersion of higher frequencies, the loudspeaker employs an acoustically isolated dome. The optional 70 V / 100 V transformers (4 and 8 Watts) feature a low < 0.6 dB insertion loss.



#### SPECIFICATIONS

##### Frequency Response

150 – 14,000 Hz +/- 5dB

##### Low frequency limit (-10 dB)

85 Hz

##### Power Handling

10 W EIA, 40 W peak

##### Sensitivity (SPL - 1 W 1 m)

95 dB

##### Maximum Output (Peak SPL)

111 dB

##### Magnet Weight

0.63 lb (0.29 kg)

##### Impedance

Nominal - 8 Ohms

Minimal - 7.8 Ohms

#### DIMENSIONS

##### CF204-8A

Height: 2.13 in (52.1 mm)

Diameter: 4.96 in (128 mm)

##### CF204-4T

Height: 4.49 in (113.1 mm)

Diameter: 4.96 in (128 mm)

##### CF204-8T

Height: 4.55 in (113.6 mm)

Diameter: 4.96 in (128 mm)

#### NET WEIGHT

##### CF204-8A

1 lbs 10 oz (0.7 kg)

##### CF204-4T

2 lbs 15 oz (1.3 kg)

##### CF204-8T

3 lbs 5 oz (1.5 kg)

#### SHIPPING WEIGHT

##### CF204-8A

2 lbs (0.9 Kg)

##### CF204-4T

3 lbs 5 oz (1.5 Kg)

##### CF204-8T

3 lbs 10 oz (1.7 Kg)

#### TRANSFORMER

##### CF204-4T

4 Watt 70 V / 100 V with four 70 V taps @ 4 W, 2 W, 1 W and 0.5 W

##### CF204-8T

8 Watt 70 V / 100 V with four 70 V taps @ 8 W, 4 W, 2 W and 1.0 W

## ARCHITECTS & ENGINEERS SPECIFICATION

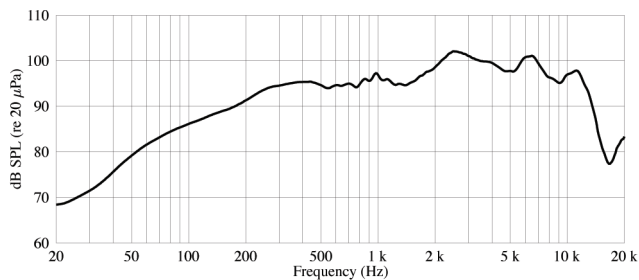
The loudspeaker shall be an Altec Lansing Professional CF204 series with a 4 inch (100 mm) full range moisture resistant cone, acoustically isolated dome and corrosion-resistant frame. The speaker shall have a power rating of 10 W EIA / 40 W peak. The frequency response shall be 150 to 14,000 Hz +/- 5 dB with a sensitivity of 95 dB @ 1 W 1 m. All transformers shall have a low < 0.6 dB insertion loss. The model numbers shall be Altec Lansing Professional CF204-8A for 8 Ohms impedance, CF204-4T with a 4 Watt 70 V/100 V transformer, and a CF204-8T with an 8 Watt 70 V/100 V transformer.

## ENCLOSURES AND BAFFLES

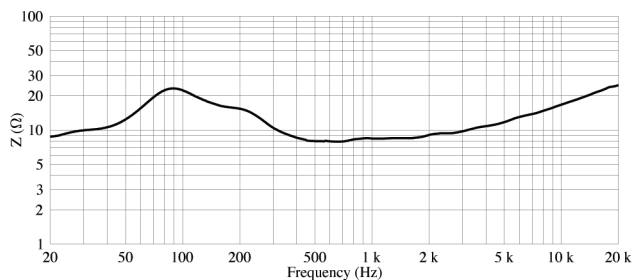
The CF204-series ceiling speakers will fit on standard 4 inch (100 mm) baffles, enclosures and back boxes. All measurements were made in a standard AES baffle for a 12 inch driver. The driver was housed in a 0.084 ft<sup>3</sup> (0.002 m<sup>3</sup>) enclosure.

Please note that larger volume enclosures will result in altered low frequency performance.

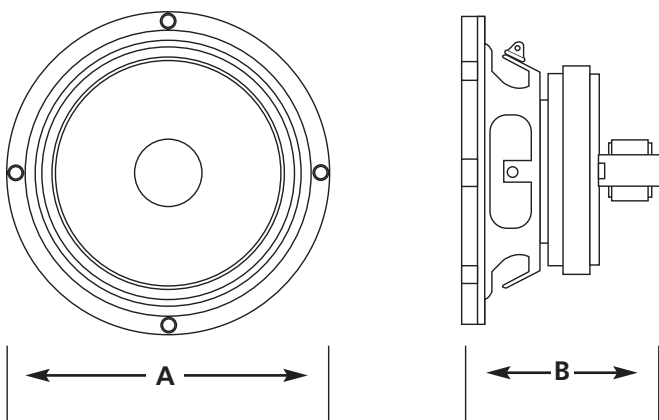
## Frequency Response (1 W 1 m on-axis)



## Impedance



## MOUNTING DIMENSIONS



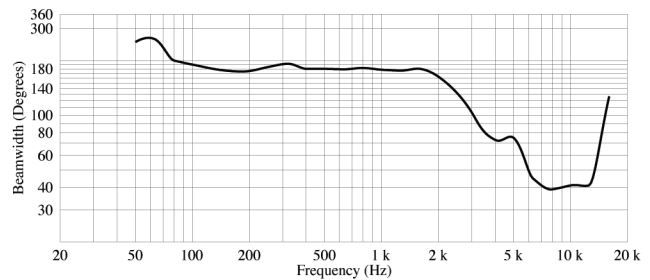
## SAFETY CONSIDERATION

1. Appropriate connectors with suitable ratings must be used to make all installation connections.
2. All unused taps must be insulated with suitable insulation.
3. Transformers and speaker combinations must be supplied by a suitable amplifier incorporating ungrounded outputs only and reinforced insulation (as per IEC60065) from output to mains.

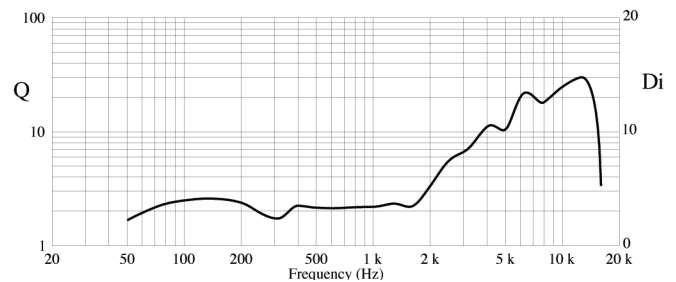
## ACCESSORIES

Altec Lansing recommends use of our 4 inch (100 mm) round metal enclosures and grilles. The CF208 Series will also fit on standard industry ceiling speaker hardware.

## Beamwidth

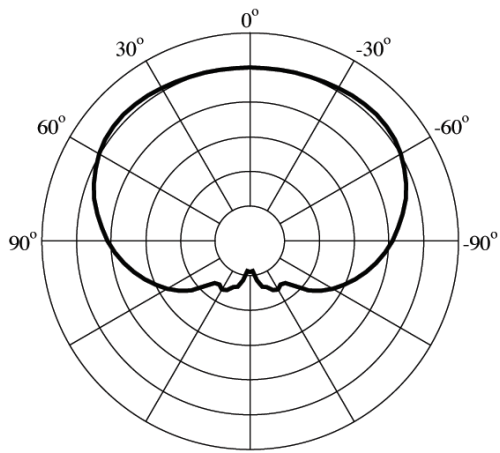


## Q & Directivity Index

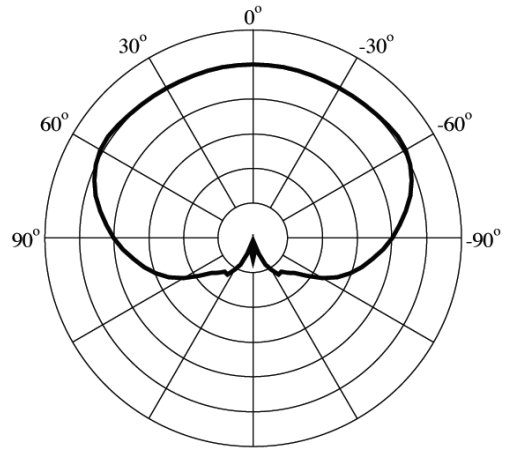


	A	B
CF204-8A	4.96 in (126 mm)	2.13 in (54 mm)
CF204-4T	4.96 in (126 mm)	4.49 in (114 mm)
CF204-8T	4.96 in (126 mm)	4.55 in (116 mm)

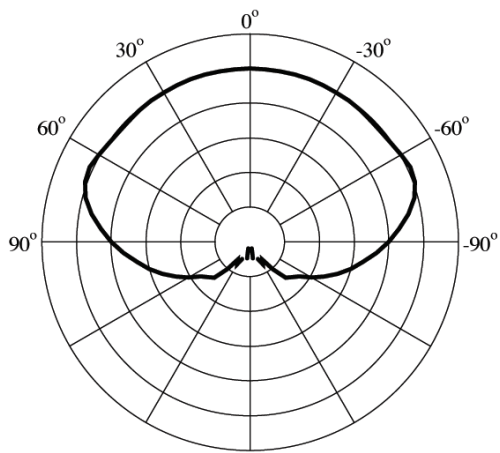
**One Octave Polar Response Charts**  
**6 dB/Division**



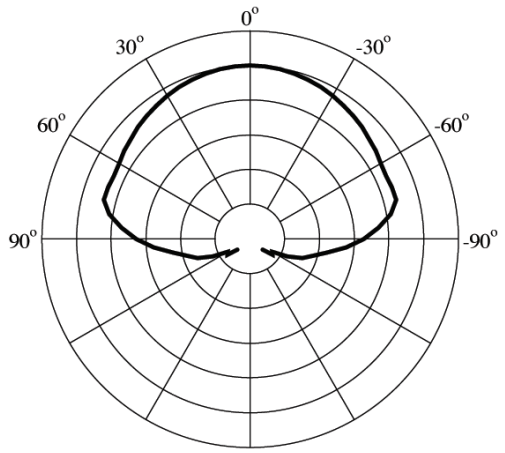
**250 Hz**



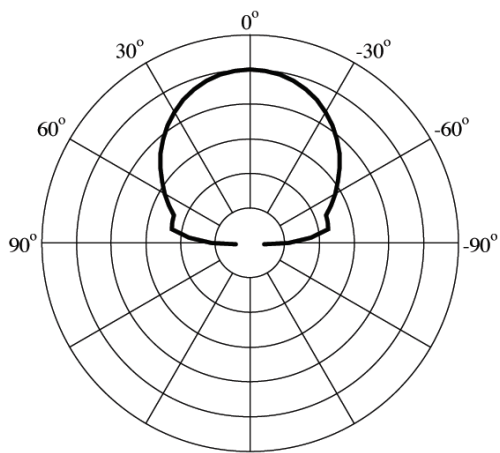
**500 Hz**



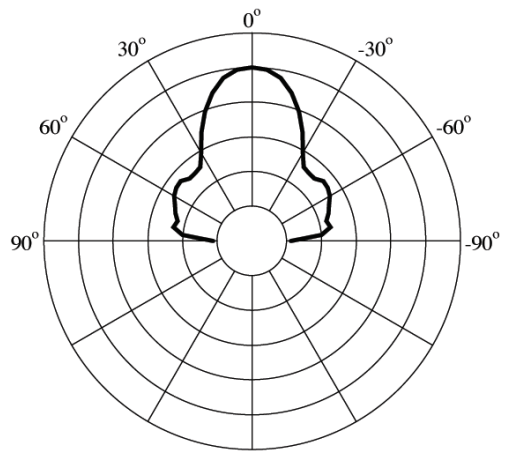
**1 kHz**



**2 kHz**



**4 kHz**



**8 kHz**

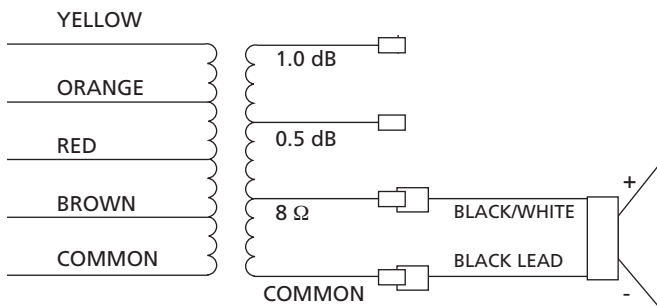
As we are continually striving to improve Altec Lansing products, specifications are subject to change without notice.

TRANSFORMER CHART

CF204

Premium 4 W Transformer (T504-71) Primary	Premium 8 W Transformer (T508-71) Primary	70.7 V Primary Tap Color Code	100 V Primary Tap Color Code
4.0 W	8.0 W	Brown	Red
2.0 W	4.0 W	Red	Orange
1.0 W	2.0 W	Orange	Yellow
0.5 W	1.0 W	Yellow	N/A
Primary Common		Black	

WIRING DIAGRAM



**ALTEC  
LANSING**

PROFESSIONAL

© 2002 Altec Lansing Professional  
1000 W. Wilshire Blvd., Suite 362  
Oklahoma City, Oklahoma 73116

Phone: 1-405-848-3108 • Fax: 1-405-848-3217

Web: [www.alteclansing.com](http://www.alteclansing.com) • Email: [proinfo@alteclansing.com](mailto:proinfo@alteclansing.com)